

***THIS DOCUMENT IS FOR MAINTENANCE
PURPOSES ONLY AND IS NOT
RECOMMENDED FOR NEW DESIGNS***

ZN429E8/ZN429D

LOW COST 8-BIT D-A CONVERTER

The ZN429 is a monolithic 8-bit D-A converter containing an R-2R ladder network of diffused resistors with precision bipolar switches.

FEATURES

- Linearity Error $\pm 1/2$ LSB
- Single +5V Supply
- Low Power Consumption 25mW Typical
- Settling Time 1 Microsecond Typical
- TTL and 5V CMOS Compatible
- Designed for Low Cost Applications

ABSOLUTE MAXIMUM RATINGS

Supply voltage, V_{CC}	+7.0V
Max. voltage, logic and V_{REF} inputs	+5.5V
Storage temperature range	-55°C to +125°C

ORDERING INFORMATION

Ambient operating temperature	-40°C to +85°C
Package, ZN429D	MP14
Package, ZN429E8	DP14

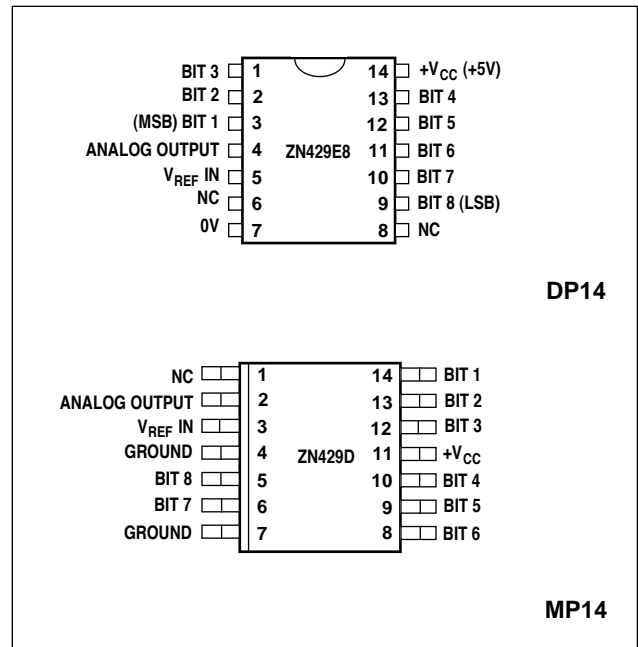
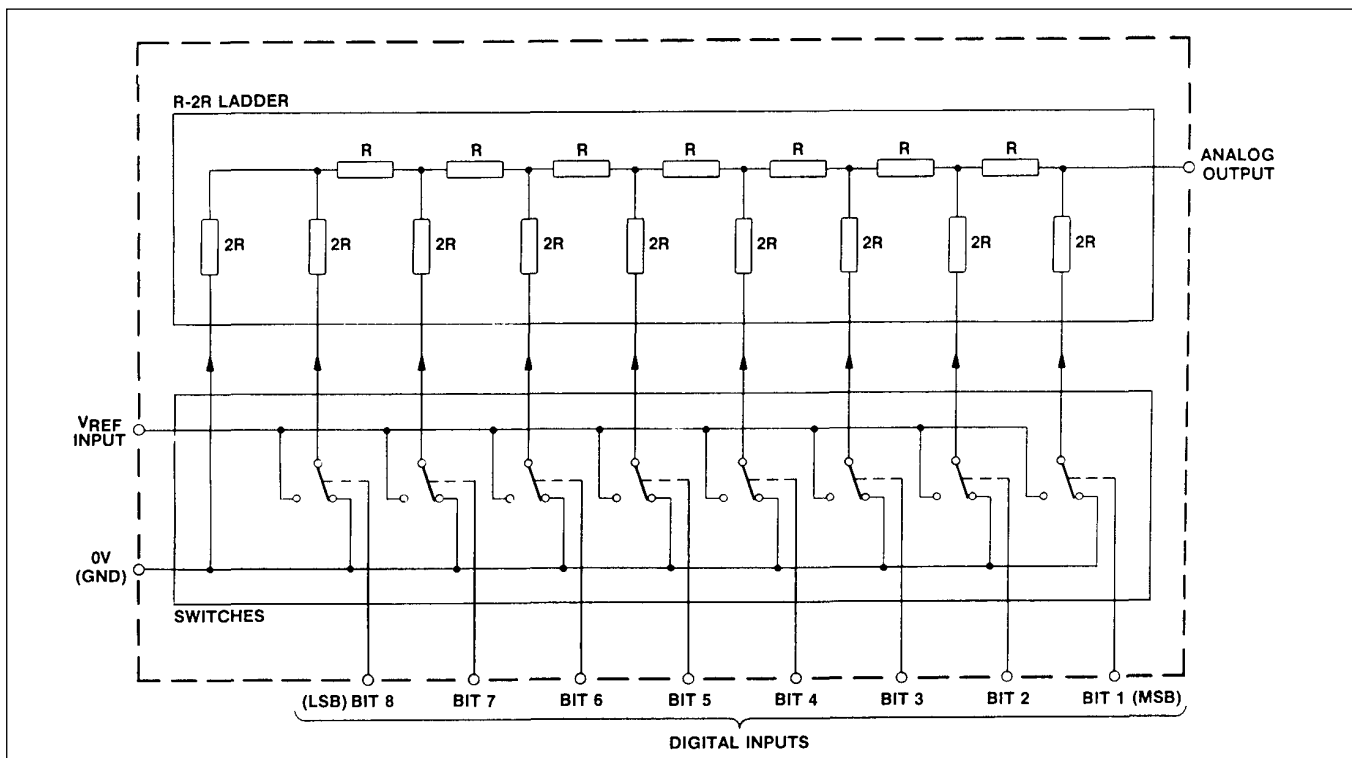


Fig.1 Pin connections (not to scale) - top view



ZN429

ELECTRICAL CHARACTERISTICS

(at $T_{amb} = 25^{\circ}\text{C}$ and $V_{CC} = +5\text{V}$ unless otherwise specified)

Parameter	Symbol	Min.	Typ.	Max.	Units	Conditions
Converter Resolution		8	-	-	bits	
Accuracy		8	-	-	bits	
Non-linearity		-	-	± 0.5	LSB	
Differential non-linearity		-	± 0.5	-	LSB	Note 1
Settling time to 0.5LSB		-	1.0	-	μs	1 LSB step
Settling time to 0.5LSB		-	2.0	-	μs	All bits ON to OFF or OFF to ON
Offset voltage ZN429E8, ZN429D	V_{OS}	-	3.0	5.0	mV	All bits OFF
V_{OS} temperature coefficient		-	5	-	$\mu\text{V}/^{\circ}\text{C}$	
Full-scale output		2.545	2.550	2.555	V	All bits ON Ext. $V_{REF} = 2.56\text{V}$
Full-scale temp. coefficient		-	3	-	$\text{ppm}/^{\circ}\text{C}$	Ext. $V_{REF} = 2.560\text{V}$
Non-linearity temp. coefficient		-	7.5	-	$\text{ppm}/^{\circ}\text{C}$	Relative to F.S.R.
Analog output resistance	R_O	-	10	-	$\text{k}\Omega$	
External reference voltage		0	-	3.0	V	
Supply voltage	V_{CC}	4.5	-	5.5	V	
Supply current	I_S	-	5	9	mA	
High level input voltage	V_{IH}	2.0	-	-	V	
Low level input voltage	V_{IL}	-	-	0.7	V	
High level input current	I_{IH}	-	-	10	μA	$V_{CC} = \text{max.}$ $V_I = 2.4\text{V}$
		-	-	100	μA	$V_{CC} = \text{max.}$ $V_I = 5.5\text{V}$
Low level input current	I_{IL}	-	-	-0.18	mA	$V_{CC} = \text{max.}$ $V_I = 0.3\text{V}$

NOTE 1: Monotonic over full temperature range.

INTRODUCTION

The ZN429 is an 8-bit D-A converter. It contains an advanced design of R-2R ladder network and an array of precision bipolar switches on a single monolithic chip.

The special design of the ladder network results in full 8-bit accuracy using normal diffused resistors.

The converter is of the voltage switching type and uses an R-2R resistor ladder network as shown in Fig.3.

Each 2R element is connected either to 0V or V_{REF} by transistor switches specially designed for low offset voltage (typically 1mV).

Binary weighted voltages are produced at the output of the R-2R ladder, the value depending on the digital number applied to the bit inputs.

An external fixed or varying reference is required which should have a slope resistance less than 2Ω .

Suggested external reference sources are the ZN404 or one of the ZN458 range. Each ZN404 is capable of supplying up to five ZN429 circuits and this is increased to ten for the ZN458 range.

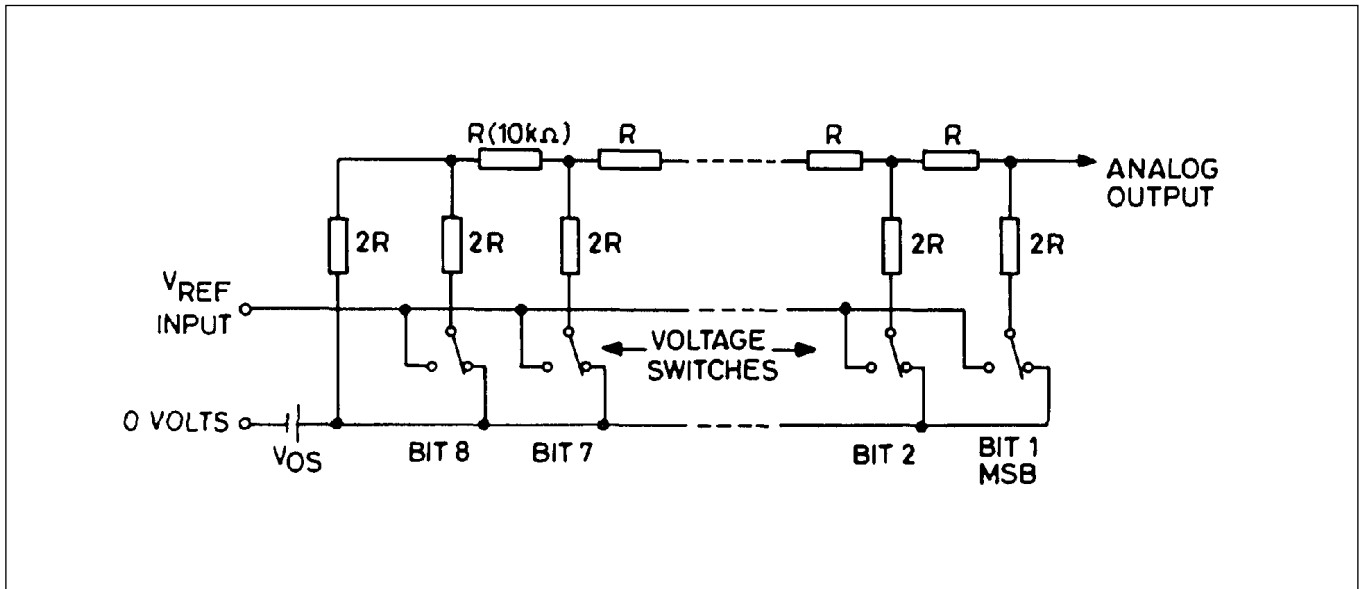


Fig.3 The R-2R ladder network

APPLICATIONS

(1) Unipolar D-A Converter

The nominal output range of the ZN429 is 0 to $V_{REF IN}$ through a 10Ω resistance. Other output ranges can readily be obtained by using an external amplifier.

The resulting full-scale range is given by

$$V_{OUT FS} = \left(1 + \frac{R_1}{R_2}\right) V_{REF IN} = G \cdot V_{REF IN}$$

The impedance at the inverting input is R_1/R_2 and for low drift with temperature this parallel combination should be equal to the ladder resistance ($10k\Omega$). The required nominal values of R_1 and R_2 are given by

$$R_1 = 10Gk\Omega \text{ and } R_2 = 10G/(G-1)k\Omega.$$

Using these relationships a table of nominal resistance values for R_1 and R_2 can be constructed for $V_{REF IN} = 2.5V$.

Output Range	G	R_1	R_2
+5V	2	20k Ω	20k Ω
+10V	4	40k Ω	13.33k Ω

For gain setting R_1 is adjusted about its nominal value. Practical circuit realisations (including amplifier stabilising components) for +5 and +10V output ranges are given in Fig.5. Settling time for a major transition is 2.5 μs typical.

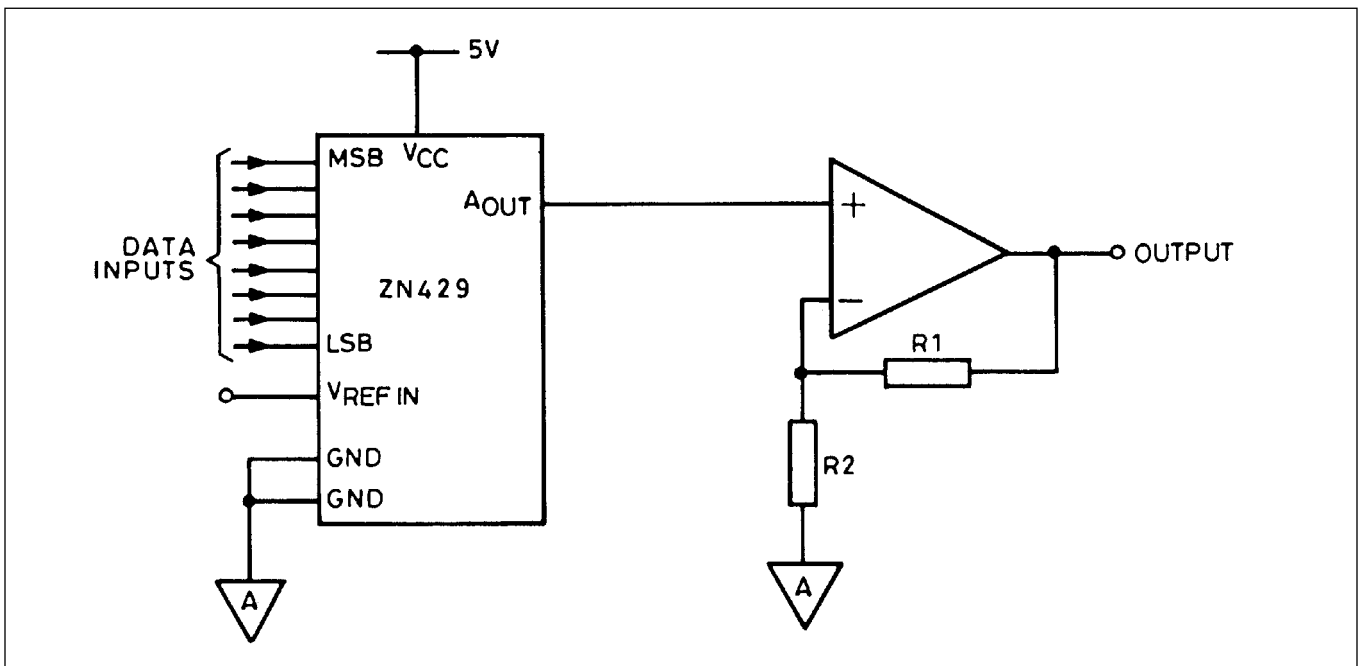


Fig.4 Unipolar operation - basic circuit

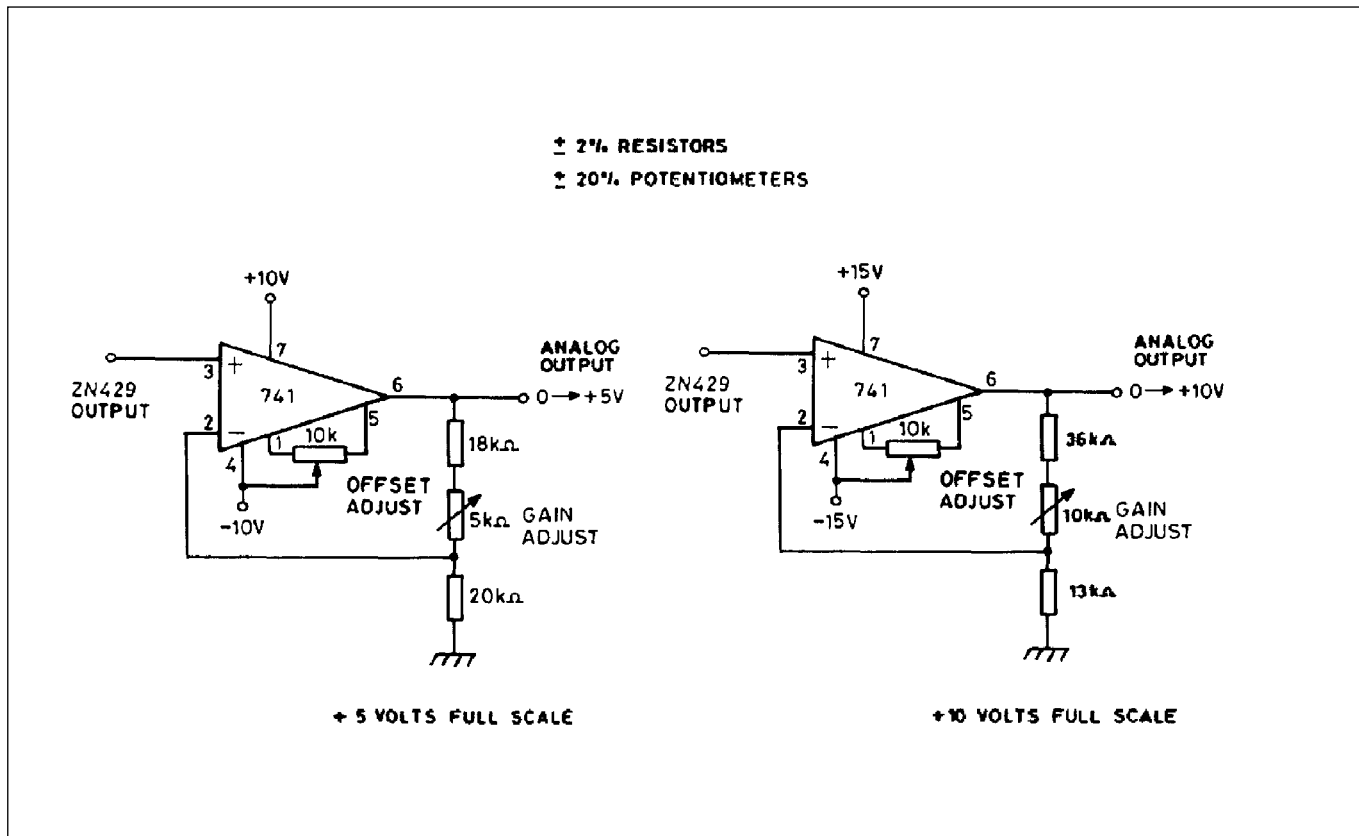


Fig.5 Unipolar operation - component values

UNIPOLAR ADJUSTMENT PROCEDURE

- (i) Set all bits to OFF (LOW) and adjust zero until $V_{OUT} = 0.0000V$.
- (ii) Set all bits ON (HIGH) and adjust gain until $V_{OUT} = FS - 1LSB$.

UNIPOLAR SETTING UP POINTS

Output Range, +FS	LSB	FS - 1LSB
+5V	19.5 mV	4.9805V
+10V	39.1mV	9.9609V

$1LSB = \frac{FS}{256}$

UNIPOLAR LOGIC CODING

Input Code (Binary)	Analog Output (Nominal Value)
11111111	FS - 1LSB
11111110	FS - 2 LSB
11000000	$\frac{3}{4}$ FS
10000001	$\frac{1}{2}$ FS + 1LSB
10000000	$\frac{1}{2}$ FS
01111111	$\frac{1}{2}$ FS - 1LSB
01000000	$\frac{1}{4}$ FS
00000001	1LSB
00000000	0

(2) Bipolar D-A Converter

For bipolar operation the output from the ZN429 is offset by half full-scale by connecting a resistor R_3 between $V_{REF IN}$ and the inverting input of the buffer amplifier (Fig.6).

When the digital input of the ZN429 is zero the analog output is zero and the amplifier output should be -full-scale. An input of all ones to the D-A will give a ZN429 output of $\pm V_{REF IN}$ and the amplifier output required is +full-scale. Also, to match the ladder resistance the parallel combination of R_1 , R_2 and R_3 should be $10k\Omega$.

The nominal values of R_1 , R_2 and R_3 which meet these conditions are given by

$R_1 = 20Gk\Omega$, $R_2 = 20G/(G-1)k\Omega$ and $R_3 = 20k\Omega$.

where the resultant output range is $\pm G \cdot V_{REF IN}$.

Assuming that $V_{REF IN} = 2.5V$ the nominal values of resistors for ± 5 and $\pm 10V$ output ranges are given in the following table:

Output Range	G	R_1	R_2	R_3
$\pm 5V$	2	$40k\Omega$	$40k\Omega$	$20k\Omega$
$\pm 10V$	4	$80k\Omega$	$26.67k\Omega$	$20k\Omega$

Minus full scale (OFFSET) is set by adjusting R_1 about its nominal value relative to R_3 . Plus full-scale (GAIN) is set by adjusting R_2 relative to R_1 .

Settling time for a major transition is $2.5\mu s$ typical.

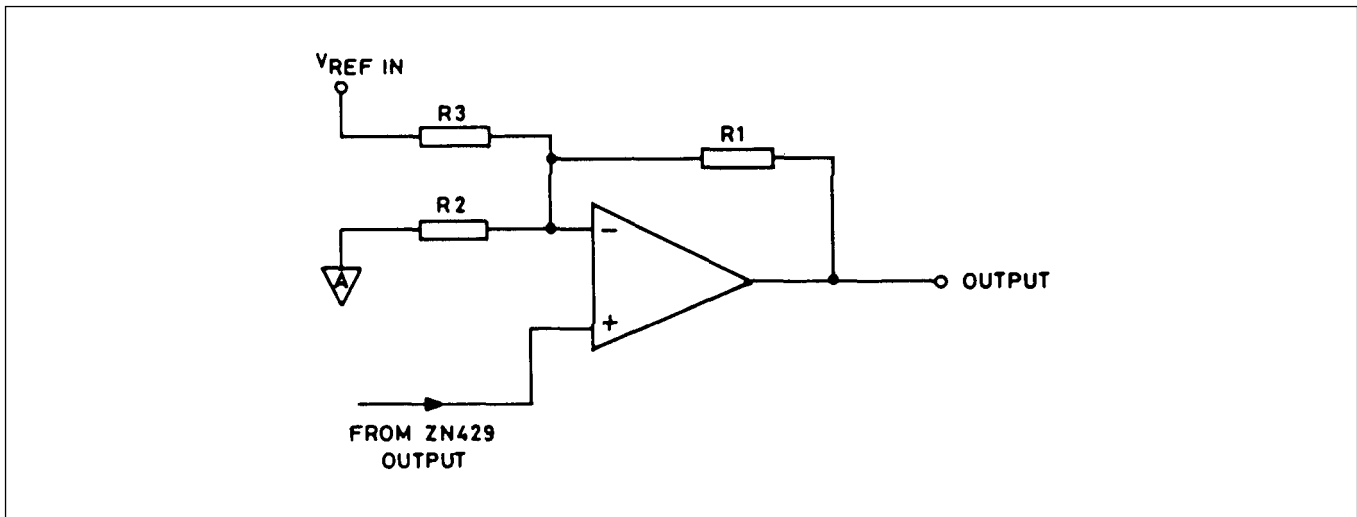


Fig.6 Bipolar operation - basic circuit

BIPOLAR ADJUSTMENT PROCEDURE

(i) Set all bits to OFF (LOW) and adjust OFFSET until the amplifier output reads -FULL-SCALE.

(ii) Set all bits ON (HIGH) and adjust gain until the amplifier reads +(FULL-SCALE - 1LSB).

BIPOLAR SETTING UP POINTS

Input Range, \pm FS	LSB	-FS	+(FS - 1LSB)
$\pm 5V$	39.1 mV	-5.0000V	+4.9609V
$\pm 10V$	78.1mV	-10.0000V	9.9219V

$1LSB = \frac{2FS}{256}$

BIPOLAR LOGIC CODING

Input Code (Offset Binary)	Analog Output (Nominal Value)
11111111	+(FS - 1LSB)
11111110	+(FS - 2 LSB)
11000000	$+\frac{1}{2}$ FS
10000001	+ 1LSB
10000000	0
01111111	-1 LSB
01000000	$-\frac{1}{2}$ FS
00000001	-(FS - 1LSB)
00000000	-FS

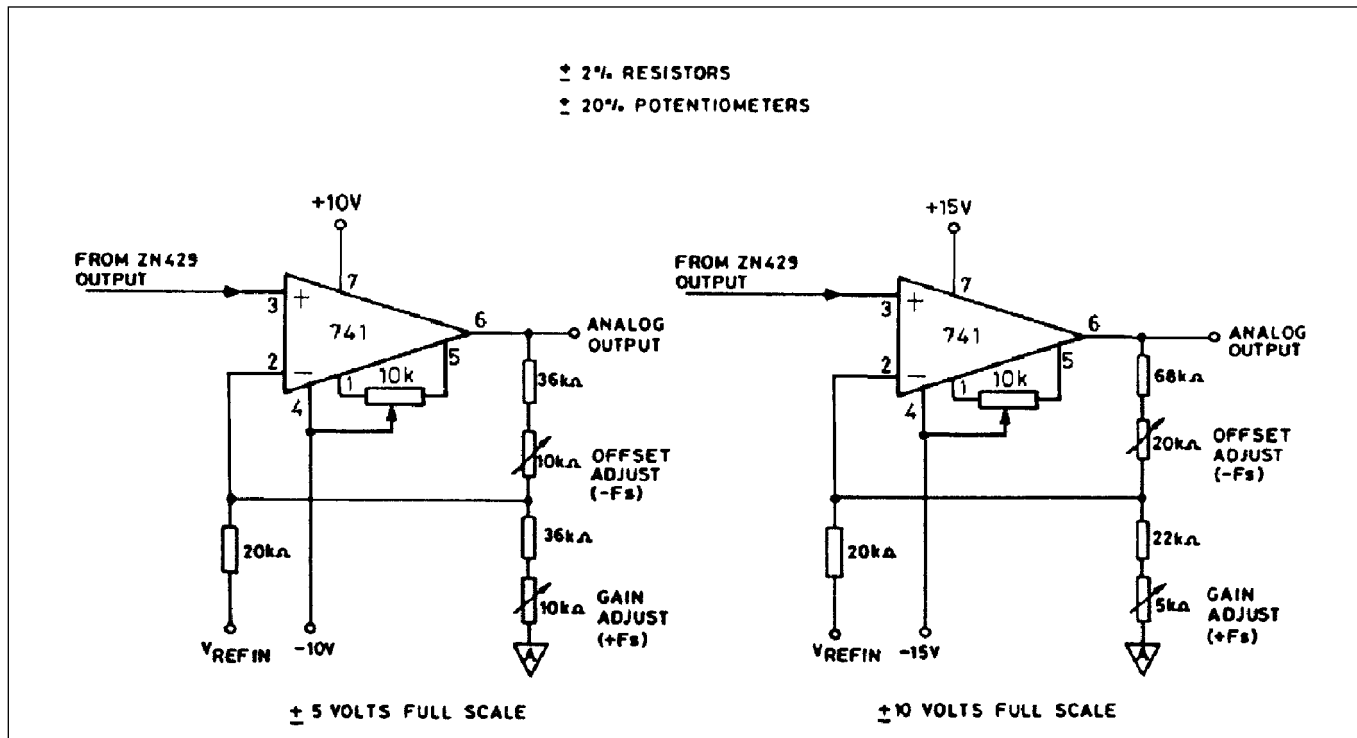


Fig.7 Bipolar operation - component values



HEADQUARTERS OPERATIONS
GEC PLESSEY SEMICONDUCTORS
Cheney Manor, Swindon,
Wiltshire, United Kingdom. SN2 2QW
Tel: (01793) 518000
Fax: (01793) 518411

GEC PLESSEY SEMICONDUCTORS
P.O. Box 660017,
1500 Green Hills Road,
Scotts Valley, California 95067-0017,
United States of America.
Tel (408) 438 2900
Fax: (408) 438 5576

CUSTOMER SERVICE CENTRES

- **FRANCE & BENELUX** Les Ulis Cedex Tel: (1) 64 46 23 45 Fax: (1) 64 46 06 07
- **GERMANY** Munich Tel: (089) 3609 06-0 Fax: (089) 3609 06-55
- **ITALY** Milan Tel: (02) 66040867 Fax: (02)66040993
- **JAPAN** Tokyo Tel: (03) 5276-5501 Fax: (03) 5276-5510
- **NORTH AMERICA** Scotts Valley, USA Tel: (408) 438 2900 Fax: (408) 438 7023
- **SOUTH EAST ASIA** Singapore Tel: (65) 3827708 Fax: (65) 3828872
- **SWEDEN** Stockholm Tel: 46 8 702 97 70 Fax: 46 8 640 47 36
- **TAIWAN, ROC** Taipei Tel: 886 2 5461260 Fax: 886 2 7190260
- **UK, EIRE, DENMARK, FINLAND & NORWAY**
Swindon Tel: (01793) 518510 Fax: (01793) 518582

These are supported by Agents and Distributors in major countries world-wide.

© GEC Plessey Semiconductors 1994 Publication No. DS3008 Issue No. 2.0 May 1994

TECHNICAL DOCUMENTATION - NOT FOR RESALE. PRINTED IN UNITED KINGDOM